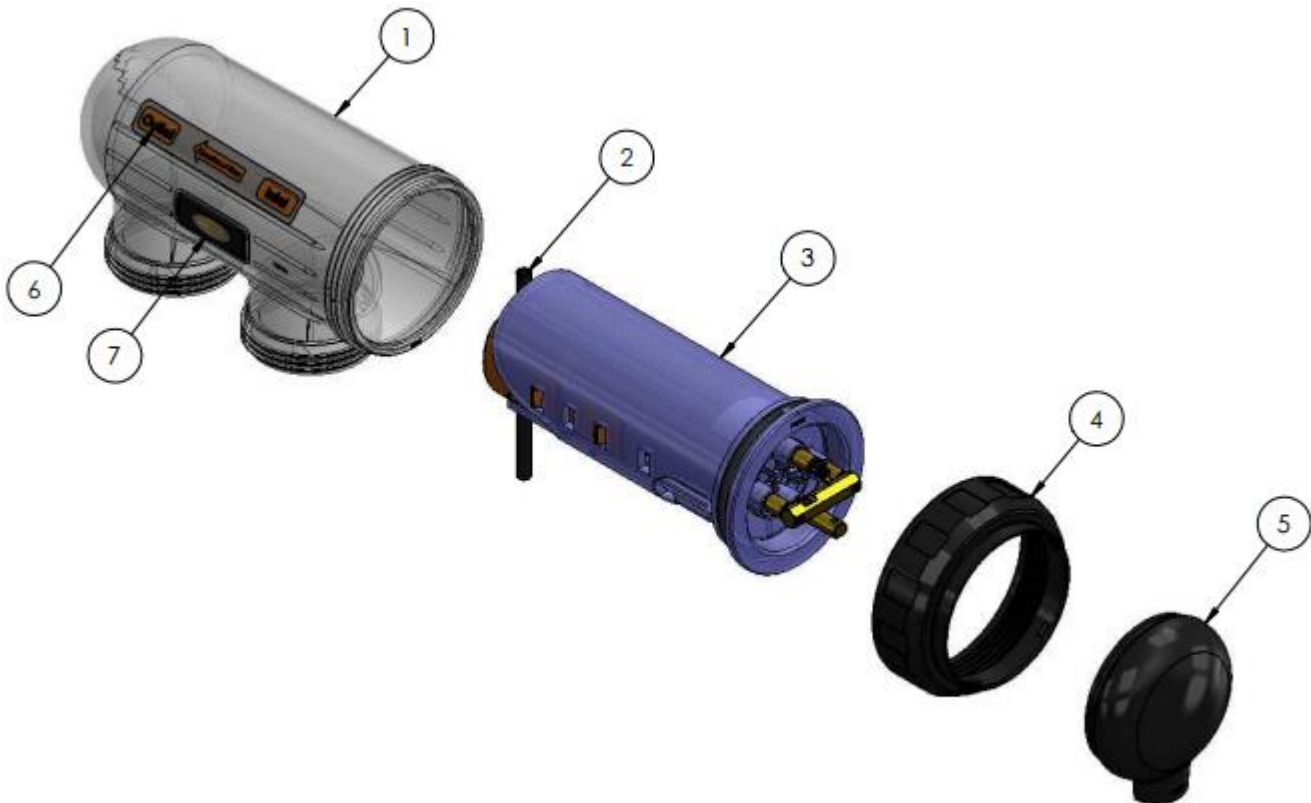




Jacuzzi J-SC40



ITEM No	DESCRIPTION	PART NUMBER	QTY
1	EXTERNAL CELL BODY	70370	1
2	TUBE- LOW FLOW	20090	1
3	INTERNAL CELL -REPLACEMENT	53767	1
4	CELL NUT	70390	1
5	CELL NUT CAP	70391	1
6	LABEL- FLOW DIRECTION	LABEL252	1
7	LABEL- Jacuzzi Lens	Label442	1